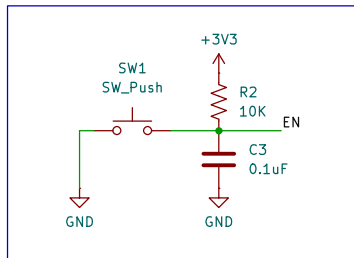
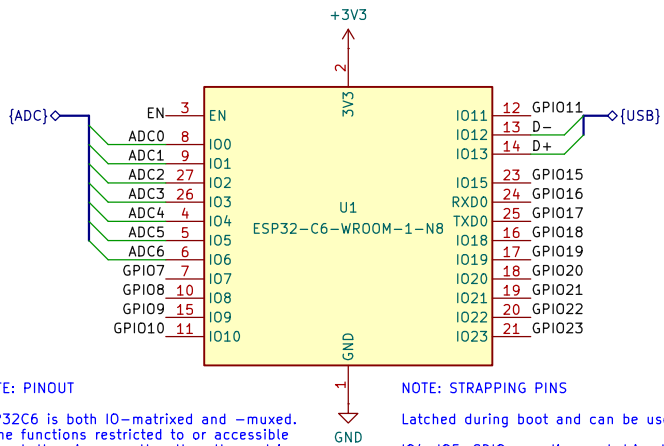
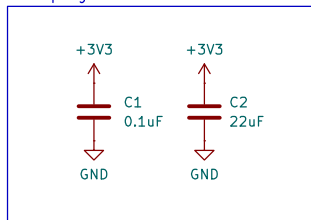


reset



decoupling



NOTE: PINOUT

ESP32C6 is both IO-matrixed and -muxed. Some functions restricted to or accessible through the pinmux rather than the matrix. (Limited selection:)

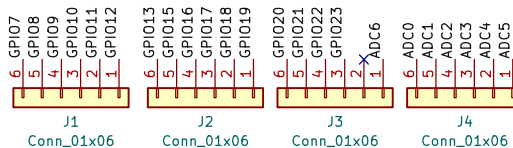
IO0-6: ADC
 IO4-7: JTAG
 IO0-7: Low-power periph, GPIOs
 IO12-13: USB D-/D+
 IO18-23: SDIO

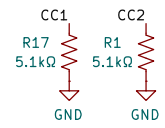
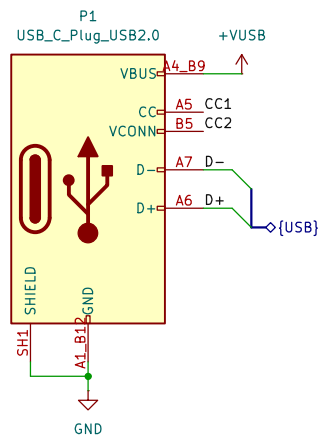
NOTE: STRAPPING PINS

Latched during boot and can be used normally afterwards.

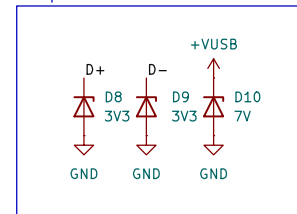
IO4, IO5: SDIO sampling and drive timing
 IO8, IO9: boot mode
 IO8: ROM output log destination
 IO15: JTAG source, must not float
 - HIGH -> USB JTAG
 - LOW -> JTAG pins

NOTE: IO protection is still TODO

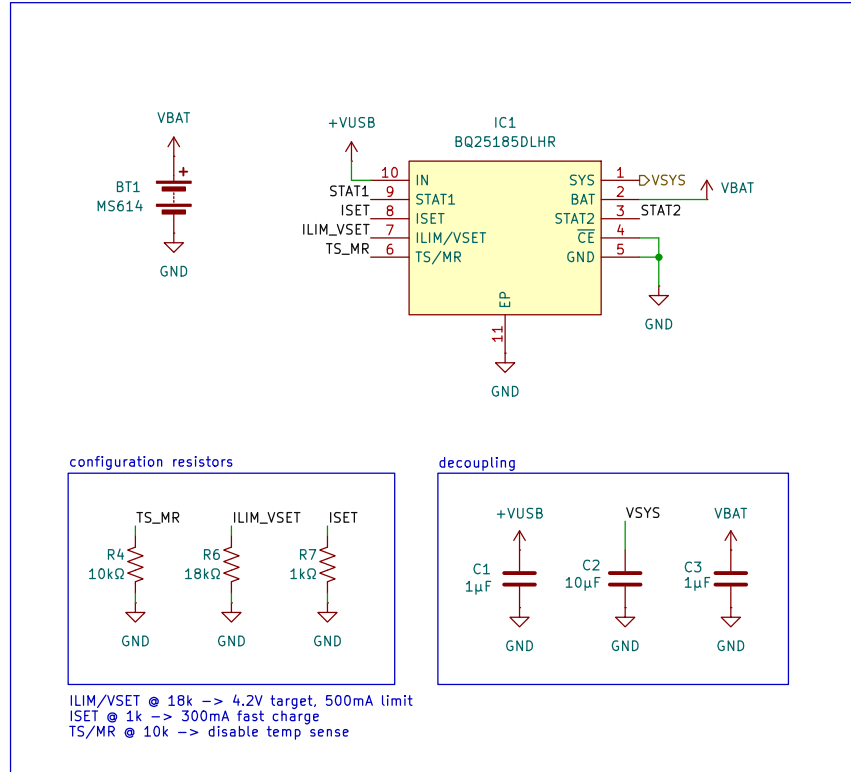




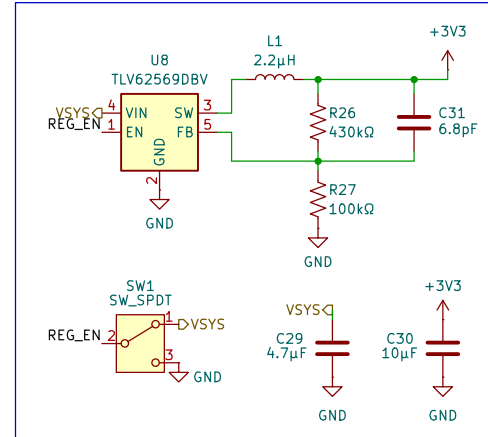
esd protection



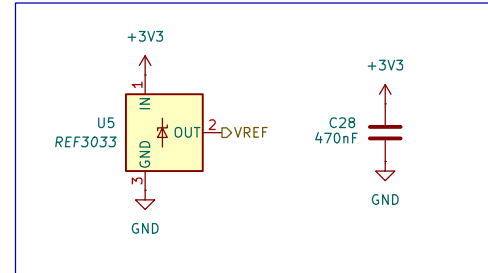
battery charge controller



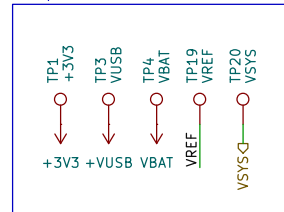
dc/dc



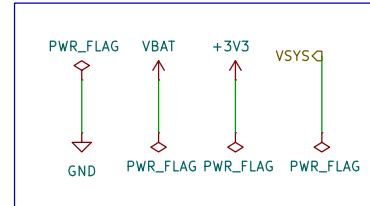
vref



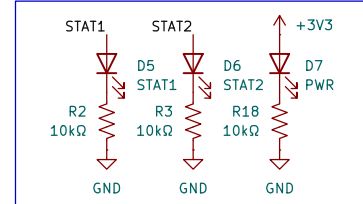
test points



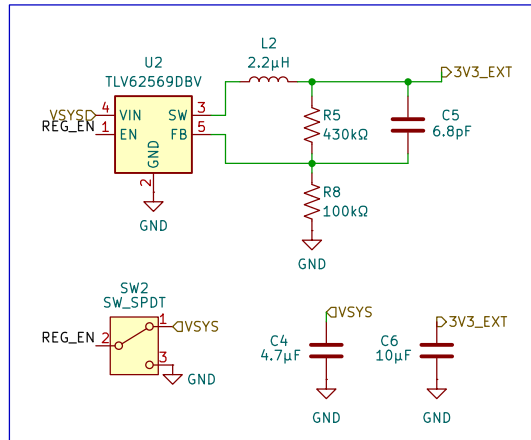
power flags



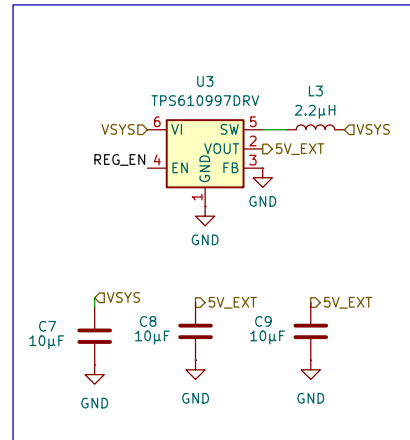
indicators



3v3



5v



NOTE: RP PROTECTION IS STILL TODO

